



Humidity Sensor

Pb free sensor

Model C10-M52R

The SHINYEI HUMENT Type HPR-MQ is a humidity device formed by distributing a humidity sensitive macro-molecule onto an electrode substrate. The resistance of the device varies exponentially with variation on Relative Humidity. C10-M52R sensor is Pb (lead) free sensor and environmentally safe.

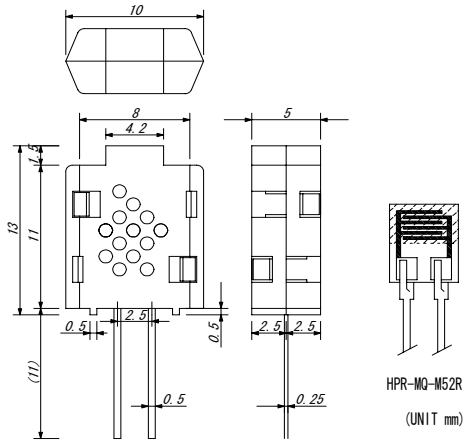
Feature	Application
Wide humidity operating range	Air-conditioner, Humidifier, Dehumidifier
Outstanding repeatability	Humidity Controller, Humidity Transmitter
Long-term stability	Hygrometer, Hygro-recorder
Low hysteresis	Copying machine
Small and light-weight	Clock, Weather-station
Pb free – good for environment	IAQ Monitor

Characteristics

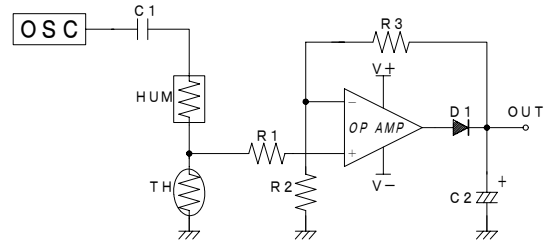
Model	C10-M52R
Humidity Sensor element	Shinyei Hument HPR-MQ-M52R
Rated Voltage	5 VAC (Max.)
Rated Power	5mW. AC (Max.)
Operating Temperature Range	-20 to 60deg. C
Operating Humidity Range	95%rh or less
Standard Humidity Resistance	31k Ohm (at 25deg. C, 60%rh, 1kHz)
Humidity Measurement Accuracy	+/-5%rh(at 25deg. C, 60%rh, 1kHz) +/-3.5%rh(at 25deg. C, 60%rh, 1kHz) is available
Temperature Dependence	0.6%rh/deg. C
Frequency Dependence	+/-1%rh/deg. C
Material of Sensor Housing	White
Dimension	10.0 x 25.5 x 5.0 mm

Specification sheet of C10-M52R February, 2006 (Page 2 of 2)

Configuration (Dimensions in mm)

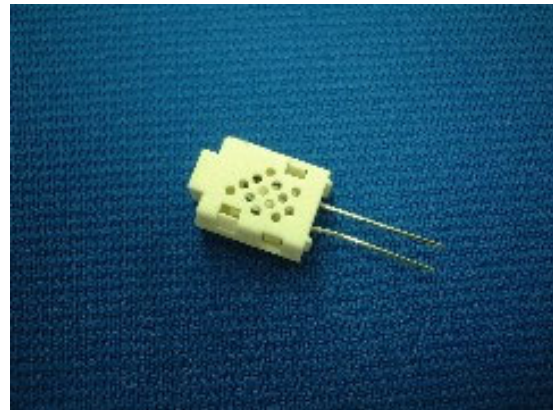
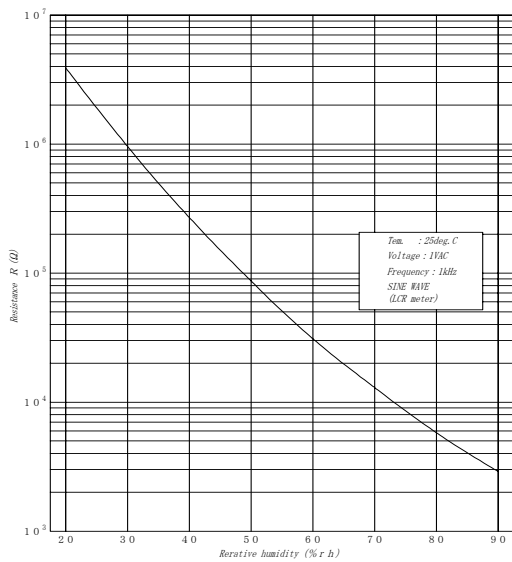


Sample Application



HUM : High polymer humidity sensor
 OSC : Oscillation Circuit AMP : Operation Amp
 TH : Thermistor OUT : Output

Nominal Characteristics



Remark; We have the right to revise specifications and product configurations without notice.

Caution for use



- ! Avoid inputting DC voltage directly to Humidity Sensor.
- ! Avoid condensation and drenching.
- ! Avoid application of the Humidity Sensor in the salt, inorganic gases and organic gases.



Contact : **Shinyei Corporation of America**
 11 East 44th St., Ste.700, New York, NY 10017
 TEL (212)682-4610 FAX (212)286-8426
 E-mail: tony.tokuya@sca-shinyei.com